

Aantal	Omschrijving
--------	--------------

1	<p>ALPHA2 GO 25-75 180</p>  <p>Opm. De foto kan afwijken van het eigenlijke product</p> <p>Artikelnr.: 93074276</p> <p>ALPHA2 GO is a high-efficiency circulator pump fitted with an electronically commutated motor and designed for circulating liquids in heating and air conditioning systems.</p> <p>The Grundfos GO app offers a range of digital features that simplify the setup process for both new and replacement installations.</p> <p>By using Grundfos GO, you can easily verify compatibility when replacing integrated and stand-alone circulator pumps, including replicating exact pump curves.</p> <p>ALPHA2 GO is designed with intelligent controls modes: constant pressure, proportional pressure, constant flow and constant curve. Each mode has adjustable setpoints. The AUTOADAPT setting, available for constant and proportional pressure, removes the need to manually select the pump setpoint.</p> <p>The PWM input allows for precise control of the speed, better enabling complete system optimization.</p> <p>The toolless installer plug results in fast and easy electrical connection.</p> <p>The automatic self-venting ability and dry-running protection ensure quiet operation and reliability of the pump.</p> <p>The product features robust startup which reduces the risk of blockages from dirt, magnetite and limescale build-up. In the unlikely case of a blocked pump, the motor attempts to continuously start at the highest possible torque, ensuring startup in tough conditions.</p> <p>The ceramic shaft and bearings experience minimal wear, resulting in a longer lifespan and a reduced likelihood of noise in the system due to increased bearing clearance from wear.</p> <p>When the system air detection and venting feature detects air in the system, the circulator pump pulsates to more effectively push air to the closest air removal device.</p> <p>Grundfos GO also provides the ability to conveniently fault-find the system through the event log and historical trend data for flow, head, estimated media temperature and on-cycle durations.</p> <p>Regeling: Frequency converter: Geïntegreerd</p> <p>Vloeistof: Te verpompen medium: Water Bereik vloeistoftemperatuur: -10 .. 110 °C Medium temperatuur tijdens bedrijf: 20 °C Dichtheid: 998.2 kg/m³</p> <p>Technisch:</p>
---	--



Opm. De foto kan afwijken van het eigenlijke product

Artikelnr.: [93074276](#)

ALPHA2 GO is a high-efficiency circulator pump fitted with an electronically commutated motor and designed for circulating liquids in heating and air conditioning systems.

The Grundfos GO app offers a range of digital features that simplify the setup process for both new and replacement installations.

By using Grundfos GO, you can easily verify compatibility when replacing integrated and stand-alone circulator pumps, including replicating exact pump curves.

ALPHA2 GO is designed with intelligent controls modes: constant pressure, proportional pressure, constant flow and constant curve. Each mode has adjustable setpoints. The AUTOADAPT setting, available for constant and proportional pressure, removes the need to manually select the pump setpoint.

The PWM input allows for precise control of the speed, better enabling complete system optimization.

The toolless installer plug results in fast and easy electrical connection.

The automatic self-venting ability and dry-running protection ensure quiet operation and reliability of the pump.

The product features robust startup which reduces the risk of blockages from dirt, magnetite and limescale build-up. In the unlikely case of a blocked pump, the motor attempts to continuously start at the highest possible torque, ensuring startup in tough conditions.

The ceramic shaft and bearings experience minimal wear, resulting in a longer lifespan and a reduced likelihood of noise in the system due to increased bearing clearance from wear.

When the system air detection and venting feature detects air in the system, the circulator pump pulsates to more effectively push air to the closest air removal device.

Grundfos GO also provides the ability to conveniently fault-find the system through the event log and historical trend data for flow, head, estimated media temperature and on-cycle durations.

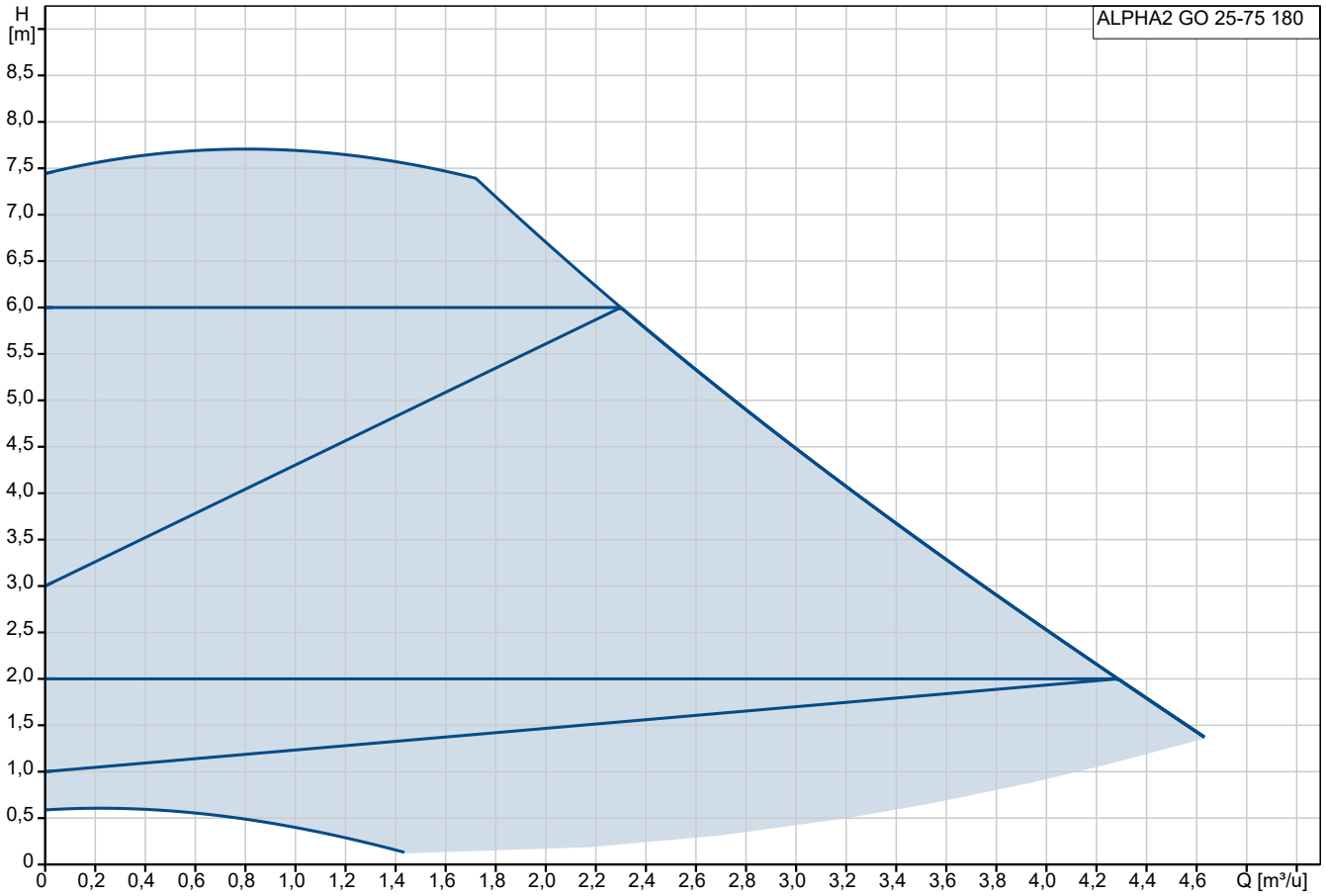
Regeling:
Frequency converter: Geïntegreerd

Vloeistof:
Te verpompen medium: Water
Bereik vloeistoftemperatuur: -10 .. 110 °C
Medium temperatuur tijdens bedrijf: 20 °C
Dichtheid: 998.2 kg/m³

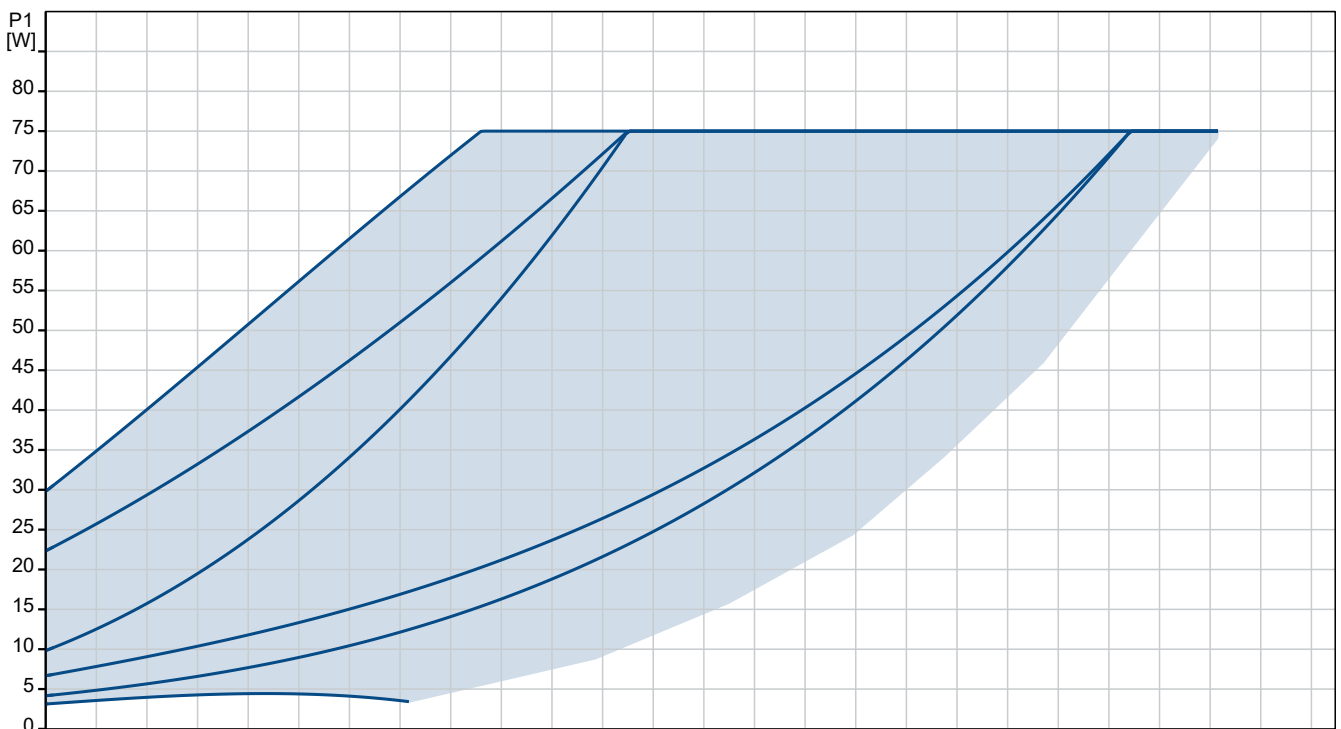
Technisch:

Aantal	Omschrijving
1	<p>Nominaal debiet: 2.52 m³/u Nominale opvoerhoogte: 5.52 m Pump head orientation: 9H Goedkeuringen: CE, VDE</p> <p>Materialen: Pomphuis: Gietijzer Pomp behuizing: EN 1561 EN-GJL-150 Pomphuis: ASTM A48M-150B Waaier: Composiet PES 30% GF + PESU-GF20%</p> <p>Installatie: Bereik van omgevingstemperatuur: 0 .. 55 °C Maximale bedrijfsdruk: 10 bar Leidingaansluiting standaard: ISO 228-1 Type aansluiting: G Maat van de aansluiting: 1 1/2 inch Druktrap voor leidingaansluiting: PN 10 Inbouwlengte: 180 mm</p> <p>Elektrische gegevens: P1 min.: 3 W P1. max: 75 W Netfrequentie: 50 / 60 Hz Nominale spanning: 1 x 220-240 V Minimum current consumption: 0.04 A Maximaal stroomverbruik: 0.68 A Dichtheidsklasse (IEC 34-5): IP44 Isolatie klasse (IEC 85): F Thermal protection: Electronic</p> <p>Overige: Energieklasse (EEI): 0.19 Netto gewicht: 1.96 kg Bruto gewicht: 2.14 kg Transportvolume: 0.004 m³ Danish VVS No.: 380475275 Swedish RSK No.: 5746855 Finnish LVI No.: 4616567 Norwegian NRF no.: 1392942 Land van herkomst: RS HS code: 84137030</p>

93074276 ALPHA2 GO 25-75 180



Te verpompen vloeistof = Water
Medium temperatuur tijdens bedrijf = 20 °C
Soortelijk gewicht = 998.2 kg/m³

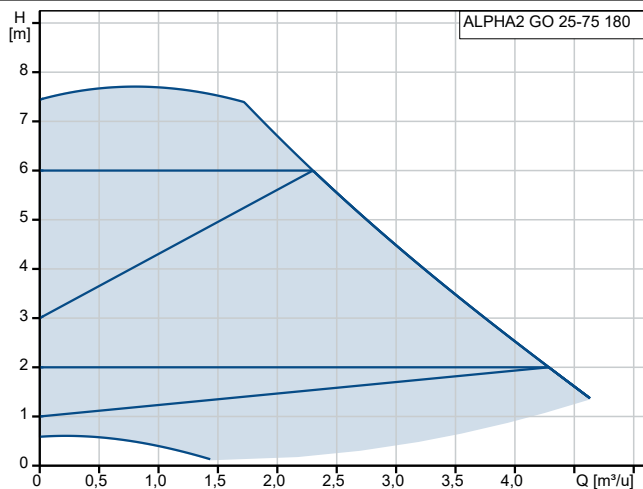


Omschrijving	Specificatie
Algemene informatie:	
Productnaam::	ALPHA2 GO 25-75 180
Productnummer::	93074276
EAN nummer::	5715467405149
Technisch:	
Nominaal debiet:	2.52 m ³ /u
Nominale opvoerhoogte:	5.52 m
Maximale opvoerhoogte:	75 dm
Pump head orientation:	9H
Goedkeuringen:	CE, VDE
Model:	A
Materialen:	
Pomphuis:	Gietijzer
Pomp behuizing:	EN 1561 EN-GJL-150
Pomphuis:	ASTM A48M-150B
Waaier:	Composiet PES 30% GF + PESU-GF20%

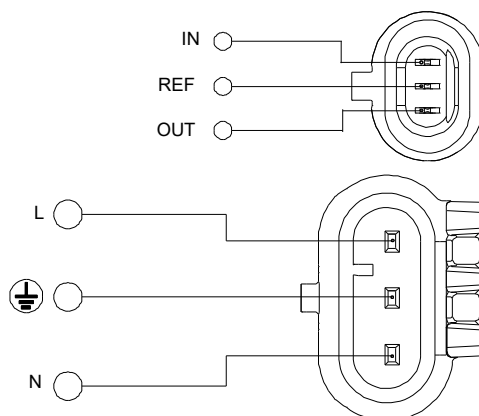
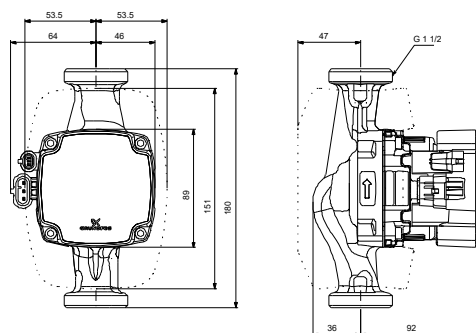
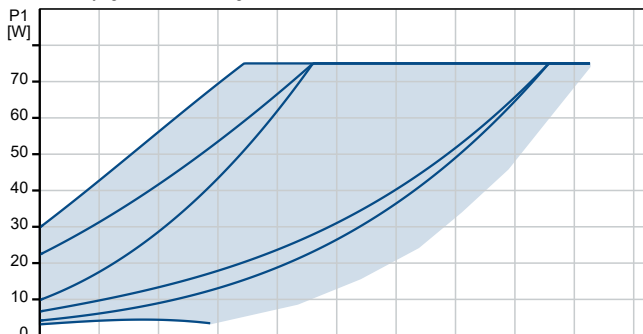
Installatie:	
Bereik van omgevingstemperatuur:	0 .. 55 °C
Maximale bedrijfsdruk:	10 bar
Leidingaansluiting standaard:	ISO 228-1
Type aansluiting:	G
Maat van de aansluiting:	1 1/2 inch
Druktrap voor leidingaansluiting:	PN 10
Inbouw lengte:	180 mm
Vloeistof:	
Te verpompen medium:	Water
Bereik vloeistoftemperatuur:	-10 .. 110 °C
Medium temperatuur tijdens bedrijf:	20 °C

Dichtheid:	998.2 kg/m ³
Elektrische gegevens:	
P1 min.:	3 W
P1. max:	75 W
Netfrequentie:	50 / 60 Hz
Nominale spanning:	1 x 220-240 V
Minimum current consumption:	0.04 A
Maximaal stroomverbruik:	0.68 A
Dichtheidsklasse (IEC 34-5):	IP44
Isolatie klasse (IEC 85):	F
Thermal protection:	Electronic

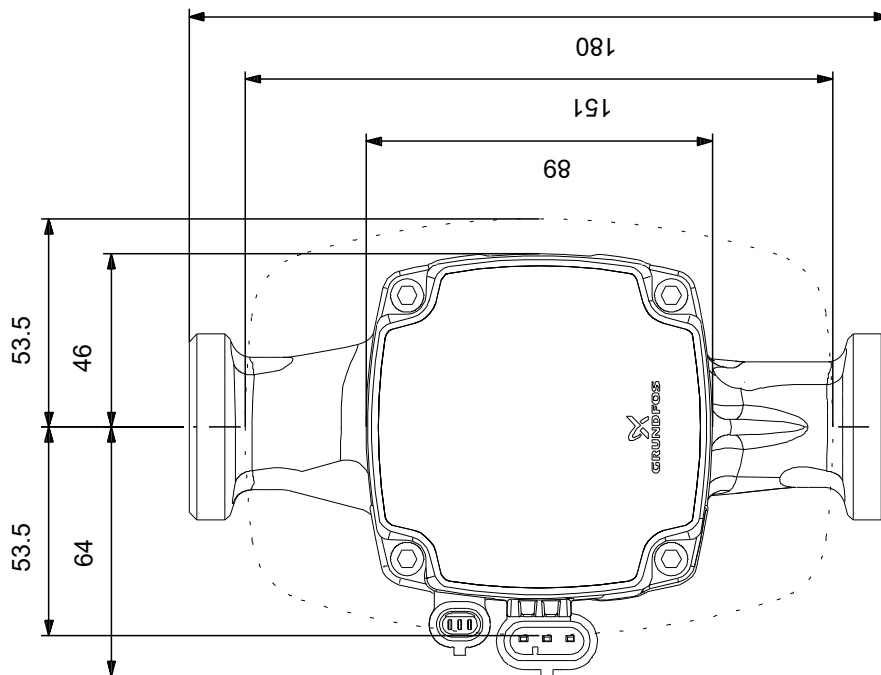
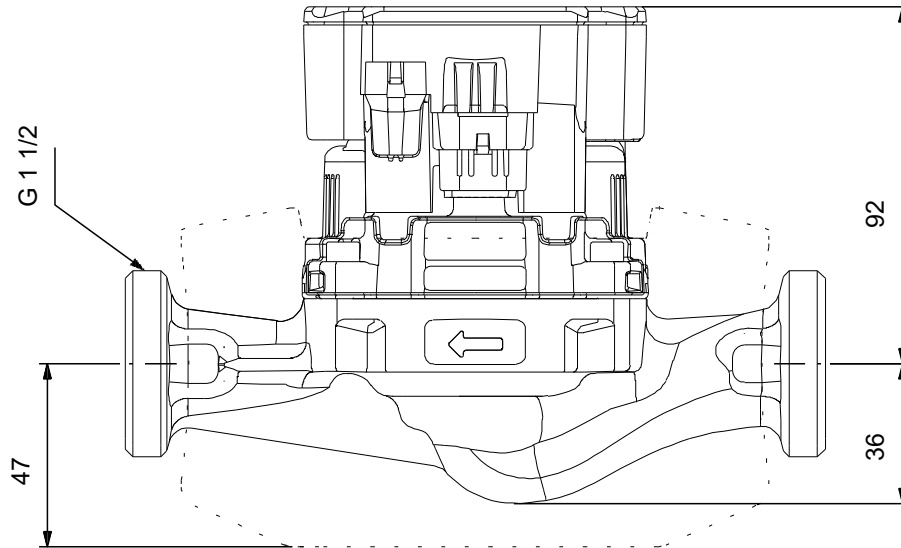
Regeling:	
Frequentie omvormer:	Geïntegreerd
Overige:	
Energieklasse (EEI):	0.19
Netto gewicht:	1.96 kg
Bruto gewicht:	2.14 kg
Transportvolume:	0.004 m ³
Danish VVS No.:	380475275
Swedish RSK No.:	5746855
Finnish LVI No.:	4616567
Norwegian NRF no.:	1392942
Land van herkomst:	RS
HS code:	84137030



Te verpompen vloeistof = Water
Medium temperatuur tijdens bedrijf = 20 °C
Soortelijk gewicht = 998.2 kg/m³

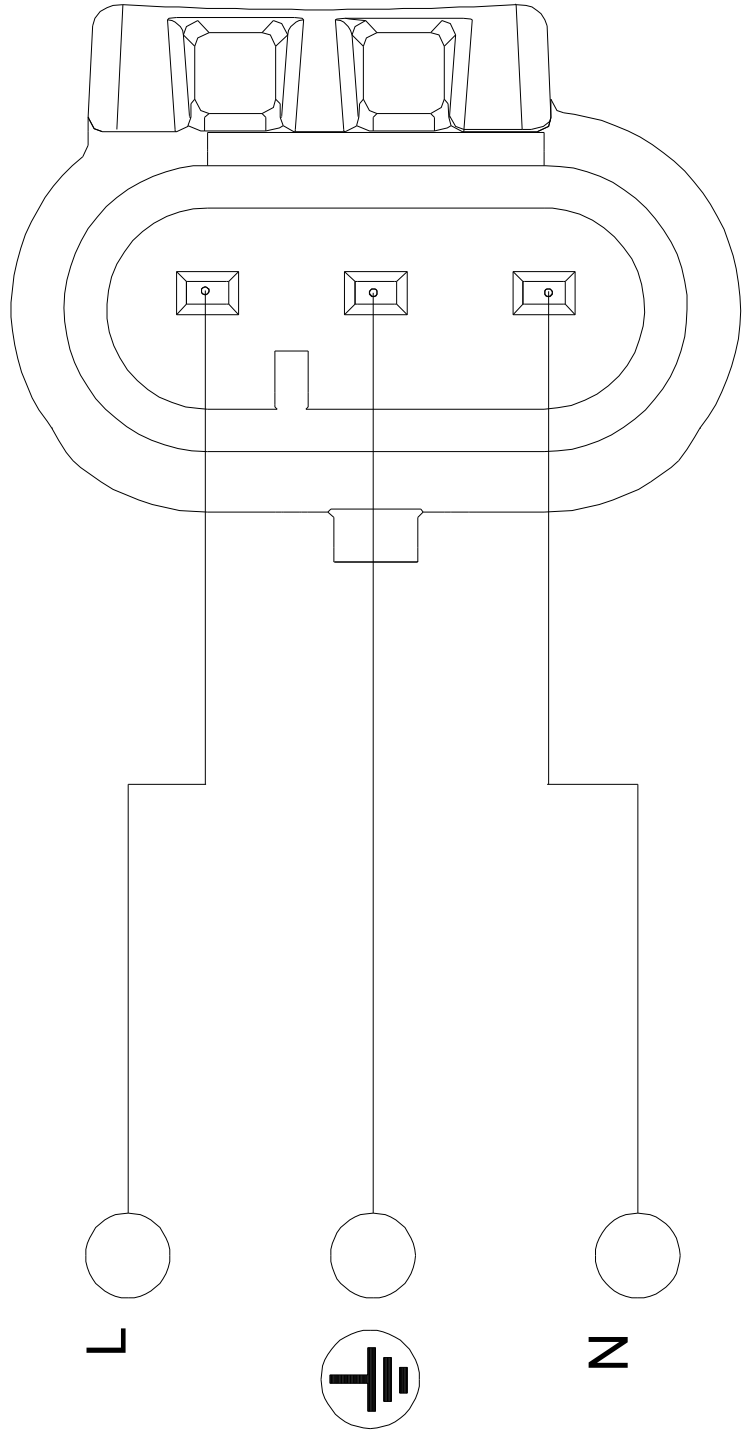
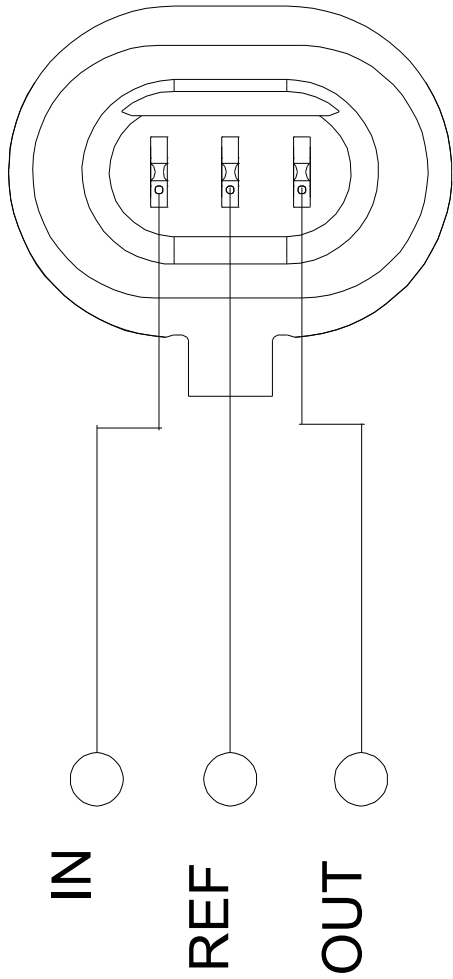


93074276 ALPHA2 GO 25-75 180



Opm! Alle unit's zijn in [mm] tenzij anders aangegeven.
Disclaimer: Deze eenvoudige maatschets toont u niet alle details.

93074276 ALPHA2 GO 25-75 180



Opm.: Alle eenheden in (mm) tenzij anders vermeld

